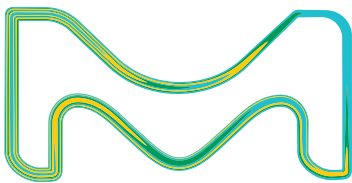


# Do's and Don'ts

for Spectroquant®  
Prove Spectrophotometer



## Now that you have our Supelco® Spectroquant® Prove photometer, we are sharing with you some tips and tricks for a better usage of your instrument.

This valuable information is in addition to the operating manual provided with the instrument.



### Instructions for general handling:

#### Do's

- Always protect the instrument from conditions that could damage the mechanical, optical, and electrical components.
- The temperature and humidity during operation and storage must be within the limits.
  - Operating temperature: 10-35°C
  - Relative Humidity: 20-80% RH.
- The cell compartment cover should always be closed when the spectrophotometer is not in use.
- When instrument kept idle & switched off cover instrument with the dust cover supplied along with the instrument.
- Do clean the spectrophotometer housing with a soft cloth and mild detergent.

#### Don't

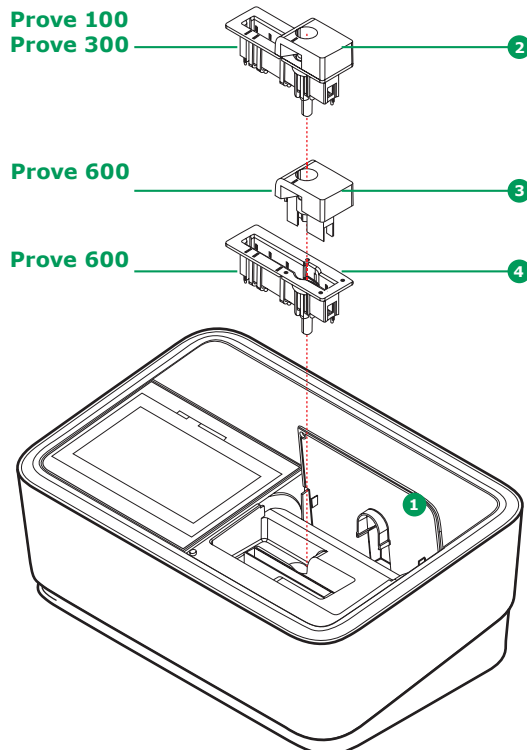
- Do not turn the spectrophotometer upside down to remove the liquid. Doing so can cause the liquid could come into contact with electronic components and damage the spectrophotometer
- Avoid any contact with acetone, similar solvents, and detergents containing such solvents. Wipe off any splashes immediately
- Avoid contact with concentrated mineral acids, concentrated caustic solutions, benzyl alcohol, and methylene chloride. Wipe off any splashes immediately.

Don't leave any cells in the cell compartment When the Prove system is not in use or being transported, the cell compartment must be empty.

### Cleaning the cell compartment:

- Remove dust and slight contamination with a moist, lint free cloth.
- In case of spilled reagents switch the instrument off and take the cell compartment out. Rinse with clean water.
- Use isopropanol briefly to remove persistent contamination.
- Avoid any contact with acetone, similar solvents and detergents containing such solvents.
- In order to clean the cell holder compartment, remove the holder by pulling evenly both sides and hold it in a horizontal position.

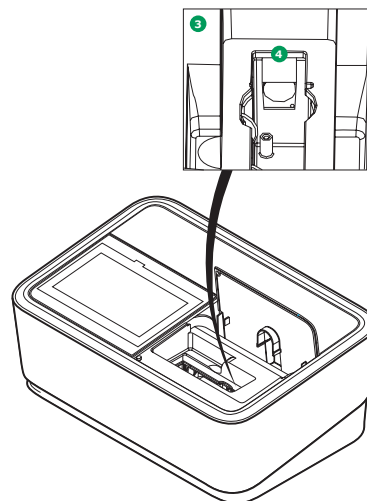
After cleaning put the cell compartment back in place by the same procedure and push the compartment completely down to avoid false measurement results.



## Cleaning the detector lens:

- Clean the detector lens: if the lens is visibly smudged due to broken cell or reagent spilled accidentally.
- In order to avoid depositions on the lens, protect the instrument from dirt, dust and evaporates of chemicals
- Procedure to clean the detector lens:
  - Switch off the instrument and disconnect power plug.
  - Access the lens situated on the left front side of the cell compartment.
  - Use clean soft swab with distilled water or isopropyl alcohol

Clean the lens with moisten swab by moving head from center of the lens outward in circles.



## Common errors & troubleshooting:

Error	Cause	Solution
The self-test does not start. The start button is inactive	<ul style="list-style-type: none"> <li>• A cell is inserted in one of the cell compartments.</li> <li>• A foreign object is inserted in one of the two cell compartments.</li> <li>• The cell compartment is dirty</li> </ul>	<ul style="list-style-type: none"> <li>• Remove the cell then tap on the start button</li> <li>• Remove the foreign particle then tap on the start button.</li> <li>• Clean the cell compartment and restart the instrument.</li> </ul>
Self-test failed	<ul style="list-style-type: none"> <li>• Lamp check: Lamp defective</li> <li>• Wavelength check:               <ul style="list-style-type: none"> <li>– Foreign bodies in the cell compartment</li> <li>– Lens dirty</li> </ul> </li> </ul>	<ul style="list-style-type: none"> <li>• Replace with a new lamp.</li> <li>• Remove foreign objects.</li> <li>• Clean the lens, if this happens repeatedly check operating conditions.</li> </ul>
Measuring range undercut or exceeded	<ul style="list-style-type: none"> <li>• Selected method's measuring range not suitable to sample concentration</li> </ul>	<ul style="list-style-type: none"> <li>• Select a method with a suitable measuring range.</li> <li>• Dilute the sample</li> </ul>
Incorrect measured values	<ul style="list-style-type: none"> <li>• Cell dirty</li> <li>• Dilution set incorrectly</li> <li>• Selected method not suitable</li> <li>• Zero measurements incorrect</li> <li>• Blank value incorrect</li> </ul>	<ul style="list-style-type: none"> <li>• Clean the cell</li> <li>• Set the dilution</li> <li>• Select a different method</li> <li>• Perform zero measurement</li> <li>• Re-measure the blank value</li> </ul>



**Spectroquant® Test kits**  
the photometric  
"Peace of Mind" package

**Ready-to-use Spectroquant® Test kits, standards & photometers for certified precision, quality and ease-of-use.**

Get accurate and reliable results with certified quality chemical consumables with the full range of Spectroquant® Test kits. We offer a complete portfolio of analytical test kits and reference standards for your water, F&B, environmental analysis.

Spectroquant® Reagent Test kits contain all reagents for photometric analyses and can be used with existing cuvettes of various pathlengths. Spectroquant® Cell Test kits offer 16 mm round cells pre-filled with reagents, and no further cuvette is needed.

The kit barcode enables seamless use with a Spectroquant® photometer Prove. If you have another photometer in your lab, but want to benefit from our outstanding quality, you may also use the kits with either calibration data provided by us or use your own.

Compliant with ISO 17025 regulations: comprehensive quality certification and documentation provided with batch specific certificates for our range of test kits and reference materials.

More info at [SigmaAldrich.com/test-kits](https://www.sigmaaldrich.com/test-kits)

# Supelco®

Analytical Products

MilliporeSigma  
400 Summit Drive  
Burlington, MA 01803

**SigmaAldrich.com**

To get more information about  
Spectroquant® Prove spectrophotometer, please see

**SigmaAldrich.com/photometry**

**To place an order or receive technical assistance**

Order/Customer Service: **SigmaAldrich.com/order**

Technical Service: **SigmaAldrich.com/techservice**

Safety-related Information: **SigmaAldrich.com/safetycenter**

© 2021 Merck KGaA, Darmstadt, Germany and/or its affiliates. All Rights Reserved. MilliporeSigma, the vibrant M, and Supelco are trademarks of Merck KGaA, Darmstadt, Germany or its affiliates. All other trademarks are the property of their respective owners. Detailed information on trademarks is available via publicly accessible resources.

MS\_BR7372EN Ver. 1.0  
34485  
01/2021