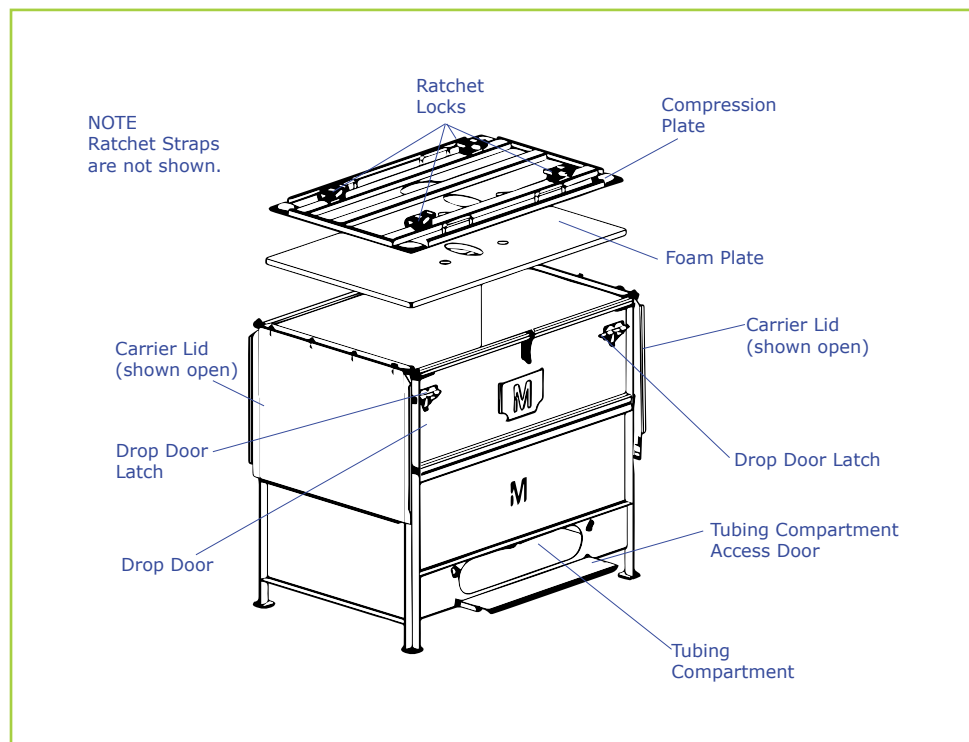


# Handling Instructions

## Stainless Steel Containers



## Container Storage

- ✓ Store containers in a dry and sheltered environment.
- ✗ Do not stack above eye level during storage.
- ✗ Do not store outdoors.

## Specifications

Parameter	Container Capacity		
	200 L	500 L	1000 L
Length (cm)	82	120	115
Width (cm)	62	80	95
Height (cm)	90/92	104	110
Empty Weight (kg)	90	170	190
Stackable	yes	yes	no
Max No of Containers in Stack	2	2	0

## Container Receipt

Upon receipt, examine the containers carefully for damages before acceptance of goods. If the containers are visibly damaged, do not accept and contact the shipping contractor.

Loosen the shipping straps by opening the buckles on the straps.

Use the labelling field for additional labels (e.g. bar codes) as required.

Remove sample or satellite bags on top of the bag through the container lid.



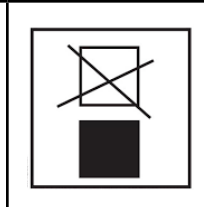
Extraction of fluid is through the tubing exiting through the tubing compartment.



## Dangerous Goods Labelling

Most containers have a dangerous goods approval from Bundesanstalt für Materialforschung und -prüfung (BAM).

### Labels Used

		
Flammable, liquid substances	Corrosive substances	Do not stack during transport

## Container Return

The containers are the property of Merck KGaA, Darmstadt, Germany and must be returned promptly.

Return the container to:

Biochrom GmbH  
Leonorenstr. 2-6  
12247 Berlin, Germany  
a subsidiary of Merck KGaA, Darmstadt, Germany

If the goods are not dangerous goods, the bag may remain in the container.

If the goods are dangerous, remove the bag containing the dangerous goods from the container and dispose of the bag according to local regulations.

1. Remove all visible residues of media or buffer and other contaminants.
2. Place the compression plate and the foam lid in the container (do not strap or affix them to the container) and close the lid. The foam lid must be returned with the container.
3. Remove all labels including dangerous goods labels from the exterior of the container.

## Standard Warranty

The applicable warranty for the products listed in this publication may be found at [www.emdmillipore.com/terms](http://www.emdmillipore.com/terms) (within the "Terms and Conditions of Sale" applicable to your purchase transaction).

We provide information and advice to our customers on application technologies and regulatory matters to the best of our knowledge and ability, but without obligation or liability. Existing laws and regulations are to be observed in all cases by our customers. This also applies in respect to any rights of third parties. Our information and advice do not relieve our customers of their own responsibility for checking the suitability of our products for the envisaged purpose.

For more information and documentation please contact:  
Merck KGaA, Darmstadt, Germany  
Corporation with General Partners  
Frankfurter Str. 250  
64293 Darmstadt, Germany  
Phone: + 49 6151-3599 300

For requests from USA and Canada please contact:  
EMD Millipore Corporation  
A subsidiary of Merck KGaA, Darmstadt, Germany  
400 Wheeler Rd  
Burlington, MA 01803  
Phone: 1-800-645-5476

[www.emdmillipore.com](http://www.emdmillipore.com)

