

Quick Start Guide

mPAGE® Bis-Tris Precast SDS-PAGE Gels

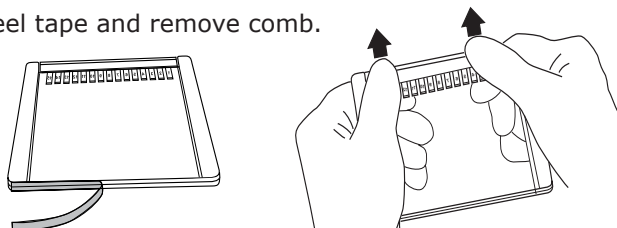
1. Dissolve one packet of mPAGE® Running Buffer powder in 1L of deionized water.

DO NOT USE TRIS-GLYCINE SDS BUFFER!

2. Prepare the Sample.

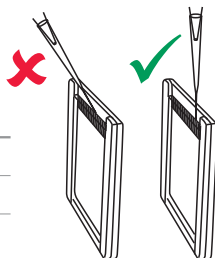
Reagent	Reduced Sample	Non-reduced Sample
Protein Sample	X	X
mPAGE® 4X Sample Buffer	2.5 µL	2.5 µL
1M-DTT*	1 µL	N/A
Deionized Water	6.5-X µL	7.5-X µL
Total Volume	10 µL	10 µL

3. Peel tape and remove comb.



4. Load samples as pictured. Do not exceed maximum volume.

Wells	Maximum Volume
10	80 µL
12	60 µL
15	40 µL

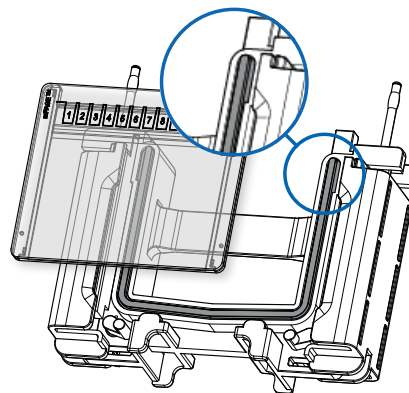


5. Typical run times using mPAGE® Running Buffers.

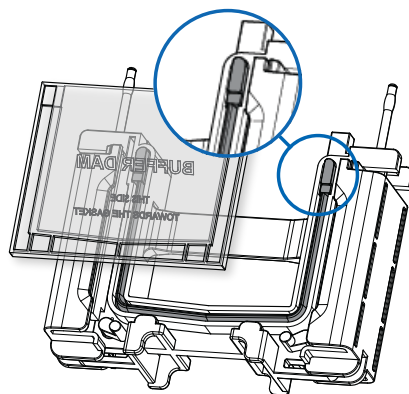
Acrylamide	MES SDS	MOPS SDS
	180 V Minutes	220 V Minutes
8%	21	26
10%	22	27
12%	29	32
4-12%	23	29
4-20%	36	35
8-16%	29	30

Tank Compatibility Tips

To use with the mPAGE® Mini Gel Tank, reverse the gasket so the flat side of the gasket is visible.



For buffer dams (BDAM1), the notched side of the gasket must face the buffer dam to form a proper seal.



The full user guide is on the product page at SigmaAldrich.com.

Notice

We provide information and advice to our customers on application technologies and regulatory matters to the best of our knowledge and ability, but without obligation or liability. Existing laws and regulations are to be observed in all cases by our customers. This also applies in respect to any rights of third parties. Our information and advice do not relieve our customers of their own responsibility for checking the suitability of our products for the envisaged purpose.

The information in this document is subject to change without notice and should not be construed as a commitment by the manufacturing or selling entity, or an affiliate. We assume no responsibility for any errors that may appear in this document.

Technical Assistance

Visit the tech service page on our web site at SigmaAldrich.com/TechService.

Terms and Conditions of Sale

Warranty, use restrictions, and other conditions of sale may be found at SigmaAldrich.com/Terms.

Contact Information

For the location of the office nearest you, go to SigmaAldrich.com/Offices.

Merck, Millipore, mPAGE, and Sigma-Aldrich are trademarks of Merck KGaA, Darmstadt, Germany or its affiliates. All other trademarks are the property of their respective owners. Detailed information on trademarks is available via publicly accessible resources.
© 2024 Merck KGaA, Darmstadt, Germany and/or its affiliates. All Rights Reserved.

The life science business of Merck operates as MilliporeSigma in the U.S. and Canada.

20344113w Rev 08/24

2 of 2

The Merck logo is displayed in a bold, blue, sans-serif font. The letters are thick and closely spaced, with a slight shadow effect on the right side of each letter.