

Data Sheet

Optiseal[®] Sanitary Cartridge Housings

Designed for sterile filtration of aqueous solutions and gases using Optiseal[®] cartridge filters

Optiseal[®] sanitary cartridge housings are designed to support the most critical clarification and product filtration needs of the pharmaceutical, biotech, food and beverage, and industrial industries.

The cartridge-to-housing sealing mechanism and pleated configuration is revolutionary, resulting in maximum sterility assurance and economical performance. Optiseal[®] housings are designed to be used with Optiseal[®] cartridge filters. These filters incorporate a unique double 2-123 silicone O-ring seal.

Optiseal[®] filters housings are suitable for both gas venting (In-line housing) and liquid applications (T-line housing).

Figure 1.
Optiseal® sealing mechanism.

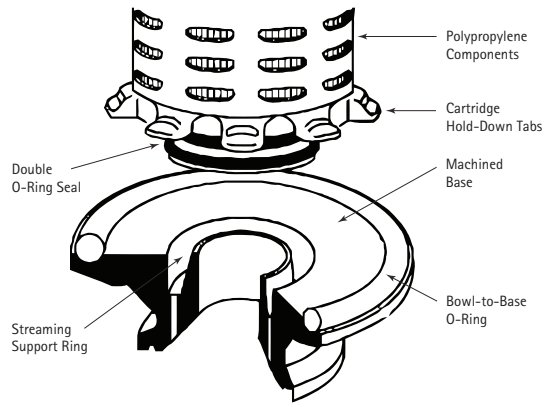


Figure 2.
Optiseal® filter housing assembly and Optiseal® T-Line housing HP01PPVT0, CESE0ST400CT, CESE0ST400ET.

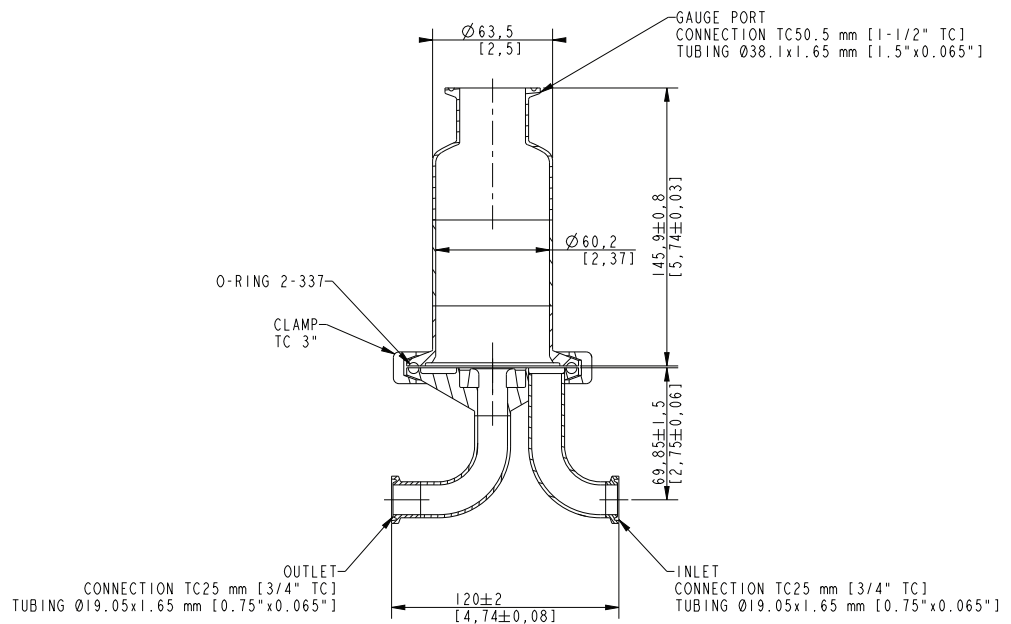
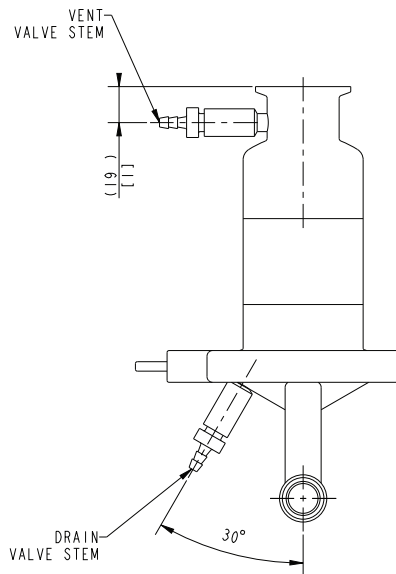


Figure 2 Continued.

Optiseal® filter housing assembly and Optiseal® T-Line housing HP01PPVTO, CESE0ST400CT, CESE0ST400ET.

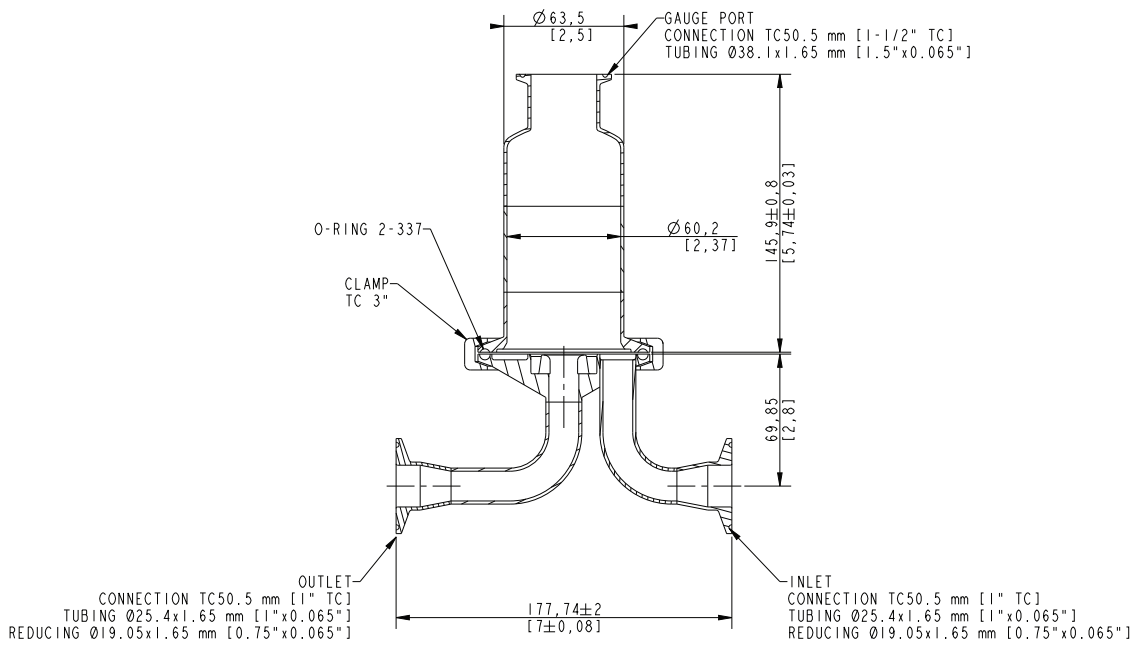
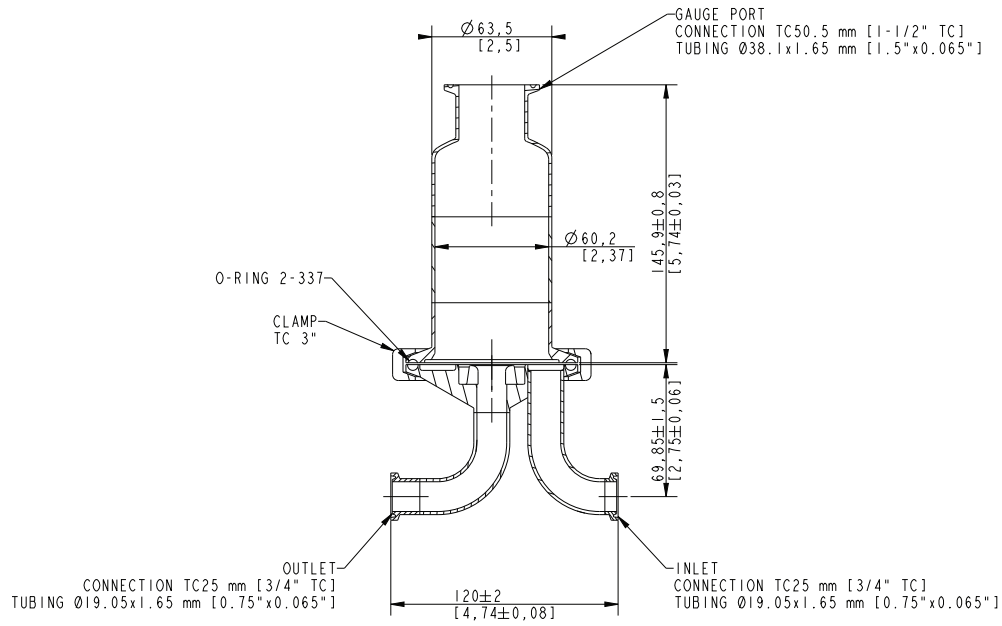
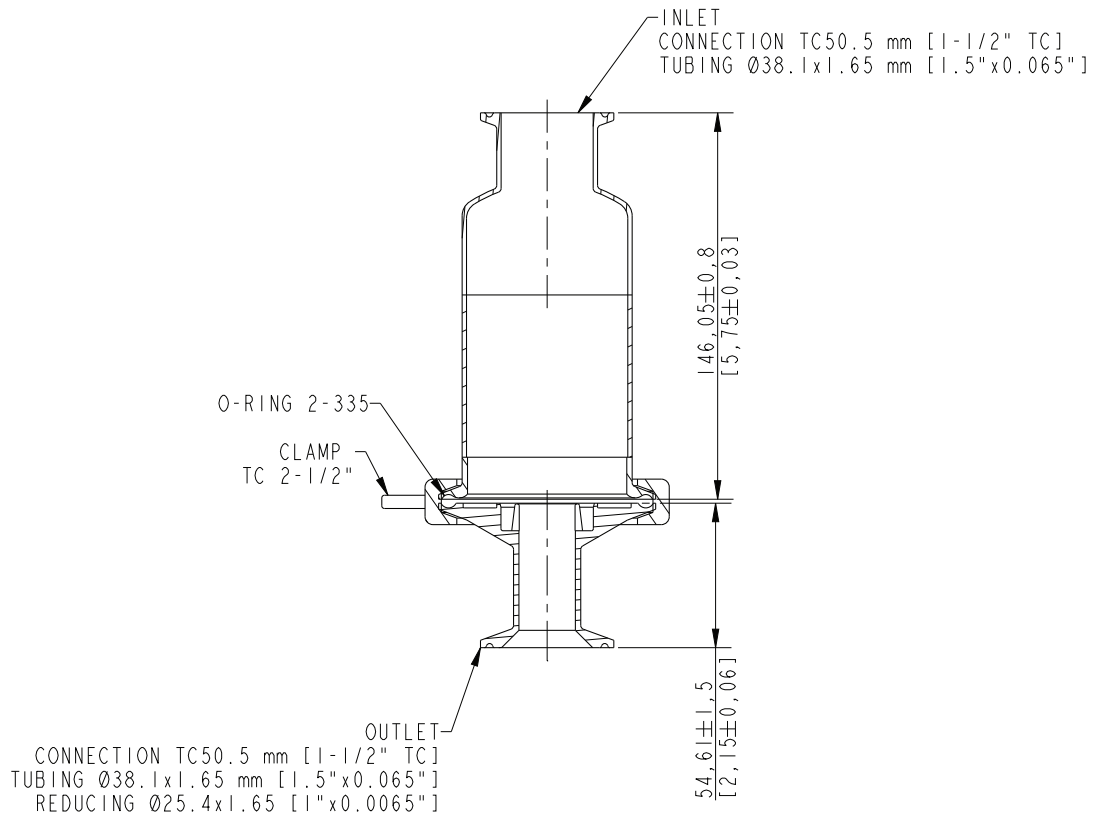
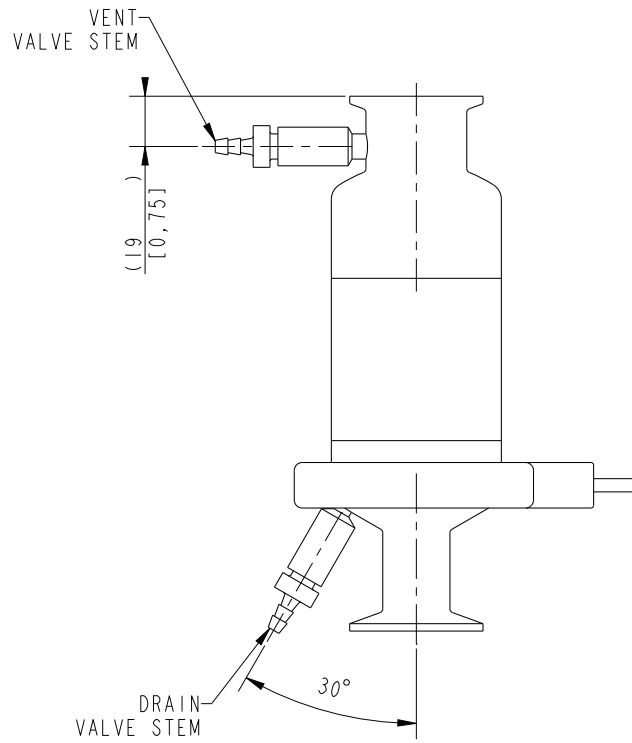
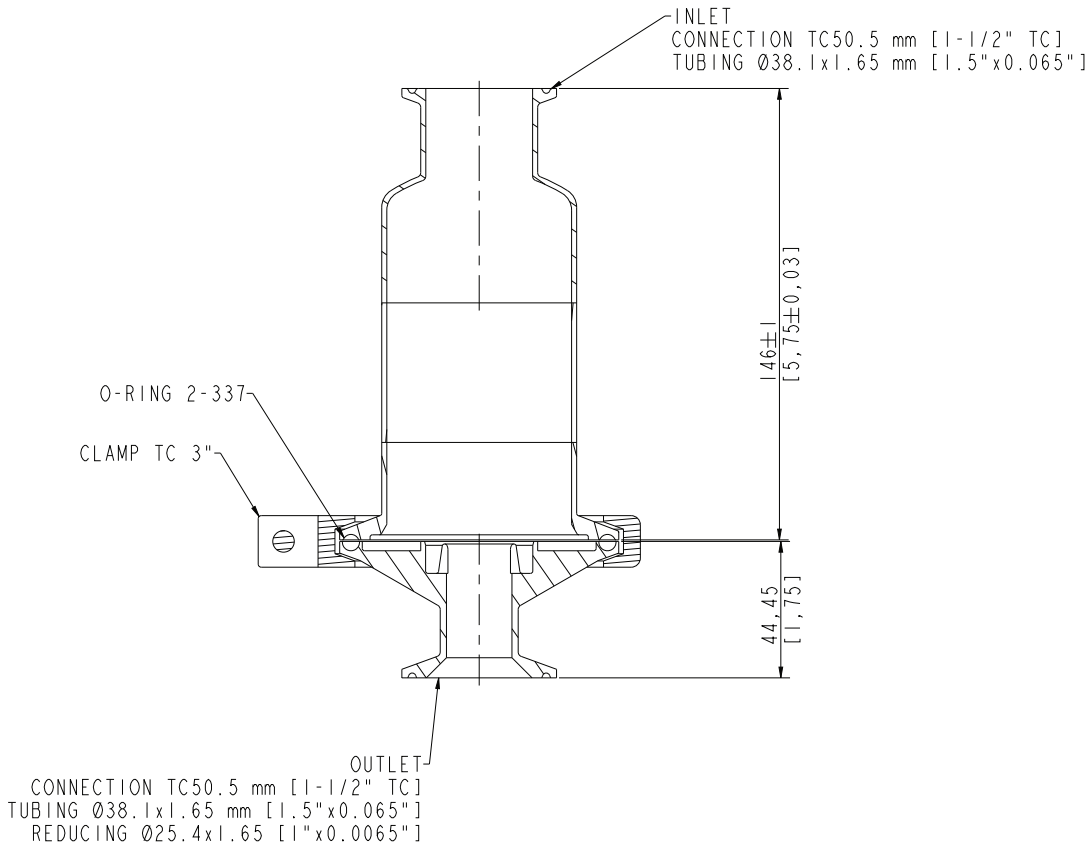
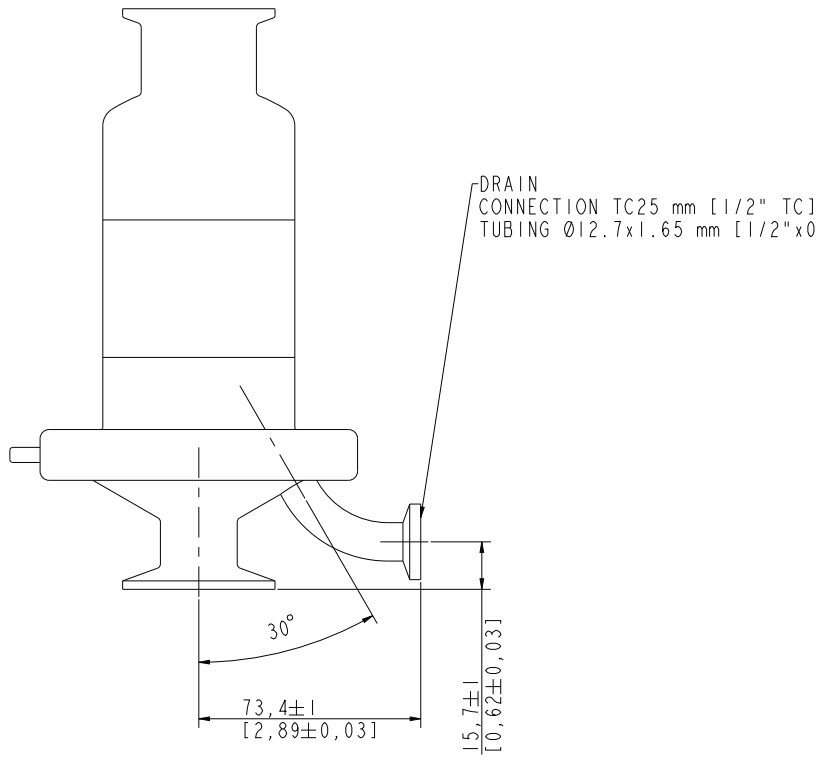


Figure 3.

Optiseal® In-Line Housings –
HPO1PPVNO,
CESYF0S04015,
CESE0SI4SPET





Optiseal® Sanitary Cartridge Housings Specifications*

Compliance with Pressure Equipment Codes	CE / PED 97/23/EC compliant, but dot not bear any CE marking (article 3.3).
CFR Compliance	All sealing materials are FDA 21 CFR compliant
USP Class VI Compliance	Sealing material is USP class VI certified.
Operating Conditions Range:	10 bar (145 psi) at 121°C (249.8°F)
Materials of Construction - Wetted Parts (All metal surfaces in contact with the product)	All the housings parts are manufactured from 316L Stainless Steel
Materials of Construction - Elastomers	Gaskets for the closure clamp and port valves are silicone O-rings, PTFE tip
Surface finish for stainless steel wetted parts (depending on the options)	The housings are mechanically polished and electropolished inside to an average roughness of Ra < 0,5 µm, and outside to an average roughness of Ra < 0,8 µm.
Cartridge Code	Optiseal® cartridges (these cartridges incorporate a unique double 2-123 silicone O-ring seal)
Clamp	SS304
Cleanability	CIP, SIP
Quality and documentation package	<p>All housings are shipped with a User Guide and a complete Documentation Package guaranteeing conformance to stated requirements.</p> <p>Main Content of the Certificate Package</p> <ul style="list-style-type: none"> Supplier Certificate Of Conformity Certificate Of Quality Drawing Surface Finish Certificate Material Certificates Seals Certificates Welds Certificates Pressure Test Certificate Of Compliance PED 97 /23/EC Statement Of Compliance Certificates Merck Millipore Housing User Manual

Ordering Information

Description	Qty/Pk	Catalogue No.
Optiseal® Housing Assemblies: US version		
Optiseal® In-Line Housing	1	HP01PPVN0
Optiseal® T-Line Housing	1	HP01PPVT0
Optiseal® Housing Assemblies: EU version		
Optiseal® In-Line Housing 1"1/2 TC 1/2" TC drain	1	CESE0SI4SPET
Optiseal® In-Line Housing 1"1/2 TC w/plunger drain	1	CESYF0S04015
Optiseal® T-Line Housing 3/4" TC	1	CESE0ST400CT
Optiseal® T-Line Housing 1" TC	1	CESE0ST400ET
Base-to-dome O-Ring		
O-Ring 2-337 SILICONE	10	17390X4
O-Ring 2-337 PTFE enc. fluoroelastomer	2	17390X3
O-Ring 2-337 EPDM	10	17390X2
O-Ring 2-337 fluoroelastomer	2	17390X1
Optiseal® O-Ring 2-335 SILICONE	2	SPPS00004
TC Closure Clamp		
TC closure clamp 3"	1	P30799
Clamp TC 2"1/2 SS 304	2	FTPF01604
Plunger Valve Spare Parts		
Valve stem and spares kit (316L/Silicone/PTFE)	1	17402
Vent valve seal kit, Silicone+PTFE	1	17403X1
Vent valve seal kit, fluoroelastomer+PTFE	1	17403X2
Vent valve seal kit, EPDM+PTFE	1	17403X3
Vent tips, PTFE	10	H4VVT000

Should you need anything outside of our standard range, our extensive custom capabilities allow for more options upon request.

To Place an Order or Receive Technical Assistance

In Europe, please call Customer Service:

France: 0825 045 645

Germany: 01805 045 645

Italy: 848 845 645

Spain: 901 516 645 Option 1

Switzerland: 0848 645 645

United Kingdom: 0870 900 4645

For other countries across Europe, please call: +44 (0) 115 943 0840

Or visit: www.merckmillipore.com/offices

For Technical Service visit:

www.merckmillipore.com/techservice



www.merckmillipore.com/offices