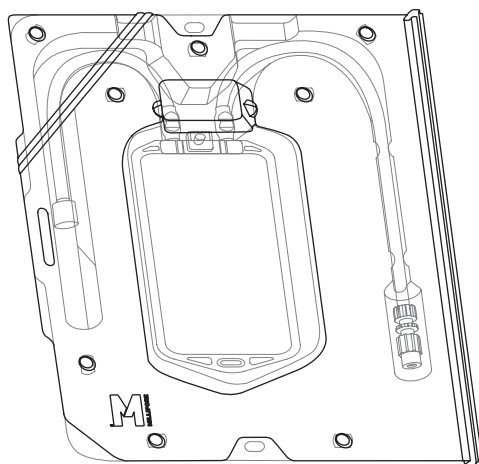
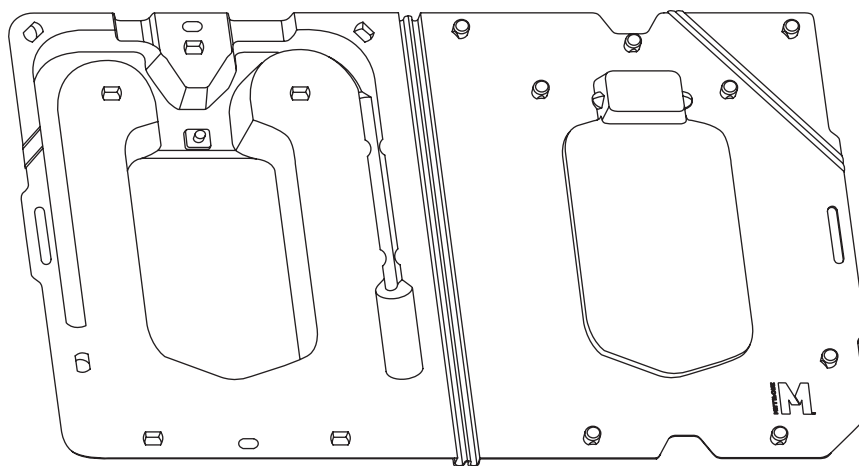


Specification Sheet

NovaSeptum[®] Case

Product Description

The NovaSeptum Case is intended for transport, storage and freezing applications using the NovaSeptum single-use sampling units. The case can be used for up to 3 freezing/thawing cycles. A certificate of quality is included in each box.



Specifications

Material

Case Amorphous Polyethylene Terephthalate (APET) noble

Dimensions

Volume (mL)	Length x Width	Height
50 and 100	442 x 275 mm (17.4 x 10.8 in.)	36 mm (1.4 in.)
250	442 x 275 mm (17.4 x 10.8 in.)	42 mm (1.6 in.)

Environmental

Maximum Pressure Conditions	0.50 bar up to 250 mL
Operating Temperature	-80 to 37 °C (-112 to 98.6 °F)
Traceability	The packaging label includes the catalogue and lot numbers.
Sterilization	Non-sterile
Stackable	Yes
Packaging	Five cases are packaged in one bag. Five of these bags are packaged in one bag and placed in a cardboard box.

Ordering Information

Sample Volume (mL)	Qty/pk	Compatible with Single Bag Catalogue No.	Compatible with Multi-Bag Catalogue No.	Catalogue No.
50 and 100	25	1711-10050 1711-10100 2711-10050 2711-10100	1714-10050 1714-10100 2714-10050 2714-10100	NSF-10100
250	25	1711-10250 2711-10250	1714-10250 2714-10250	NSF-10250



www.merckmillipore.com

EMD Millipore and the M mark are trademarks of Merck KGaA, Darmstadt, Germany. NovaSeptum is a registered trademark of Millipore Corporation. Specifications subject to change without notice. Lit. No. PF2667EN00 Rev. B 07/2011 DP.SBU-11-04750 Printed in the USA. ©2011 Millipore Corporation, Billerica, MA 01821 U.S.A. All rights reserved.

To Place an Order or Receive Technical Assistance

In Europe, please call Customer Service:

France: 0825.045.645

Spain: 901.516.645 Option 1

Germany: 01805.045.645

Italy: 848.845.645

United Kingdom: 0870.900.46.45

For other countries across Europe, please call: +44 (0) 115 943 0840

Or visit www.merckmillipore.com/offices

For Technical Service visit:

www.merckmillipore.com/techservice