

## Specification Sheet

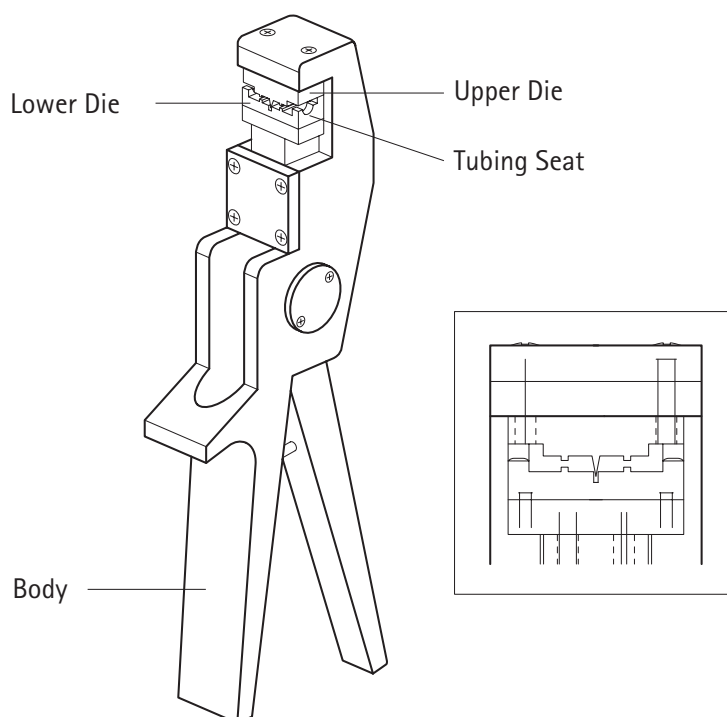
# NovaSeal™ Manual Crimping Tool

## Product Description

The patented manual crimping tool is designed to ensure a secure seal for transfer to lab. The NovaSeal™ manual crimping tool is designed for use with all NovaSeptum® sterile sampling units.

A certificate of quality is included in each box.

### NovaSeal™ Crimping Tool Configuration



## Specifications

Materials of Construction	
Body	Aluminum
Lower Die	Vanadis 6 with hardened special surface treatment
Upper Die	Vanadis 6 with hardened special surface treatment
Screws and Bearings	Stainless Steel

## Ordering Information

### NovaSeal™ Manual Crimping Tool

Application	Qty/pk	Catalogue No.
Manual Crimping Tool	1	A100
Manual Crimping Tool Spare Part Kit*	1	A104

\*Replace the dies every 1000 cycles or every year, whichever comes first.



[www.merckmillipore.com](http://www.merckmillipore.com)

## To Place an Order or Receive Technical Assistance

In Europe, please call Customer Service:

France: 0825 045 645

Germany: 01805 045 645

Italy: 848 845 645

Spain: 901 516 645 Option 1

Switzerland: 0848 645 645

United Kingdom: 0870 900 4645

For other countries across Europe, please call: +44 (0) 115 943 0840

Or visit [www.merckmillipore.com/offices](http://www.merckmillipore.com/offices)

For Technical Service visit

[www.merckmillipore.com/techservice](http://www.merckmillipore.com/techservice)